



COMPOSITE CO-EXTRUSION DECKING



INSTALLATION & MAINTENANCE GUIDE

fiberwood.ca



Elevate Your Outdoor Experience.

Transform your outdoor living experience with Fiberwood Decking. Explore our range of stunning aesthetic options and cutting-edge features tailored to complement any deck design. Embrace your outdoor oasis with ease of maintenance and enduring durability that will stand the test of time.

Table of Contents

1. What is Fiberwood Decking	p. 4
2. General Guidelines	p. 4
3. Safety Information	p. 5
4. Static	p. 5
5. Storage and Handling	p. 5
6. Environment Considerations	p. 5
7. Fire & Heat Exposition	p. 5
8. Under-Deck Waterproofing Systems	p. 6
9. Downspout	p. 6
10. Technical Drawings & Specs	p. 7-10
11. Tools and Equipment	p. 11
12. Aesthetic (design & layout)	p. 11
13. Joist Layout	p. 12
14. Fasteners	p. 13-18
15. Feature Boards	p. 19
16. Fascia Board Installation	p. 19
17. Stair Tread	p. 20
18. Stair Installation	p. 20
19. Stair Stiffeners Installation	p. 20
20. Care, Maintenance and Safety Instructions	p. 21

ADVANTAGE AND ELITE DECKING BOARDS



1. What is Fiberwood Decking

Fiberwood decking is made from a mixture that consists of 60% hardwood dust, 30% from recycled clear plastics, 10% additives, pigments for the colors, and finally a protective envelope made of High Density Polyethylene (HDPE). Ninety percent of these products are made from recycled materials and are entirely recyclable making them environmentally friendly.

2. General Guidelines

Before you start any building, remodeling or renovation project, you should be aware and conform to municipal requirements and comply with all applicable building codes. Further, you should also have all necessary permits and obtain all certifications regarding your plans prior to starting any projects with our Fiberwood materials. Consumers and purchasers are solely responsible for the use that they make of these products. Local authorities often require plans, landscaping, implementation, design, structures, elevations... We would take this opportunity for aesthetic considerations and layouts.



3. Safety Information

Make certain that your job site is kept clean and free of obstacles at all times. We also condone the use of faulty tools that could jeopardize your health and safety or that of anyone that has to be present on your job site. Ensure that you are taking every step necessary towards safety, for example eye and hearing protection, high-visibility clothing and garments, respiratory protection, gloves and approved safety footwear, etc.

4. Static

A dry or windy environment can create a temporary condition of static electricity on composite decking. Climate and site conditions can also influence the occurrence of static electricity. Additionally, heat pumps and dryer vents that are located close to or pointed toward the decking material can generate static electricity on the deck. Therefore, it's important to always position the dryer vents away from the deck. Over time, the effect of static electricity will naturally dissipate on the surface of the decking.

5. Storage and Handling

Fiberwood products should ideally be stored in a sheltered area in order to keep them in perfect condition. Keep your items away from direct sunlight and keep them covered until you are ready to install them. They should also be kept safe from debris and hazards. Boards should always be stored on a flat surface and off the ground in order to permit water to drain away. Materials are delivered on a pallet covered in a weatherproof shroud that needs to cover the products at all times. This protection should suffice in keeping your Fiberwood products in pristine condition.

6. Environmental Considerations

Even though Fiberwood decking is fully recyclable, we recommend that you adopt an environmentally friendly code of conduct and practices. We suggest that you use dust collection systems for all your machine tools, that you manage debris and offcuts as well as all packaging, be cautious about delicate habitats and species.

7. Fire & Heat Exposition

Although Fiberwood decking products are highly resistant to fire and heat sources, it remains a potential to become a source of combustions. It is impossible for us to assess every parameter in order to answer questions pertaining to "distance from" and "what temperature." Factors like ambient temperature, wind speed and direction, sun exposition and cloud coverage, source and intensity of heat points for example all have impacts. We recommend taking precautions accordingly: composites have a fire point and a melting point. Albeit highly resistant to, composites can be deformed and defaced by excessive heat exposition.

Reflected sunlight from glass doors and windows could also negatively impact your Fiberwood decking boards and products. This reflected light could even originate from a neighbor's property. We recommend that these heat sources be identified and evaluated before purchasing and installing our products.

8. Under-Deck Waterproofing Systems

Properly installed under-deck waterproofing systems can provide additional living or storage space. However, it's important to note that improper installations can restrict air flow and lead to the buildup of heat and/or humidity, which can result in unwanted consequences.

To ensure the required 1.5 inches (38mm) of unobstructed cross-ventilation and air flow is achieved, we recommend contacting the manufacturer of the specific under-deck waterproofing system for installation instructions. If the system has already been installed, you should seek methods to achieve the cross-ventilation requirement in order to avoid issues.

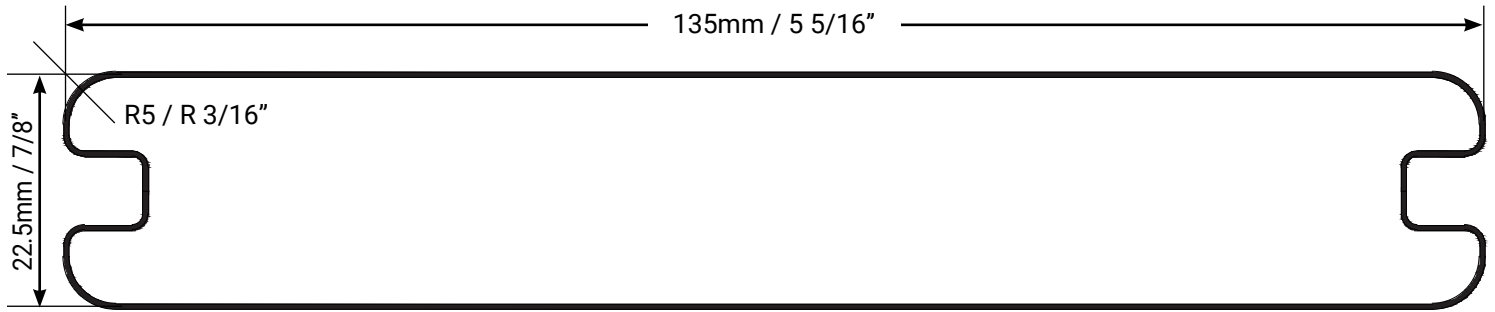
9. Downspouts

Direct downspouts and downspout extensions away from the composite decking to avoid water damage. Additionally, using spout guards can also help prevent water damage to the deck.



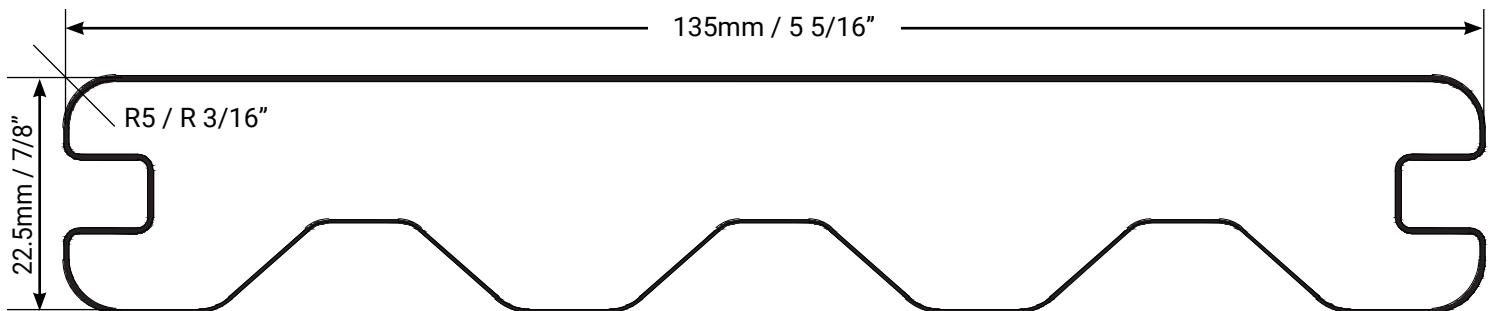
10. Technical Drawings and Specs

10.1 SOLID DECKING BOARD GROOVED – ELITE



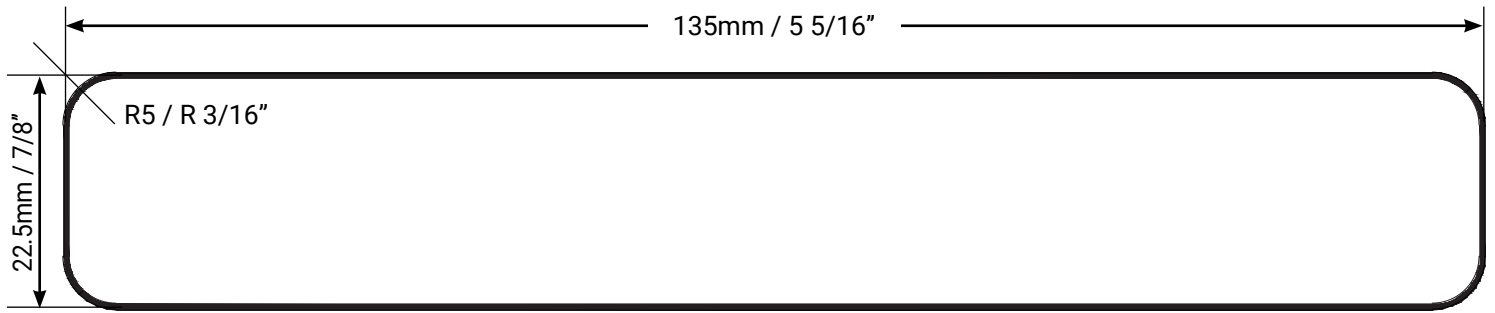
TOLERANCE:
WIDTH: TO -0.5MM THICKNESS: TO -0.2MM WALL THICKNESS: TO -0.2MM

10.2 HALF SOLID DECKING BOARD – ADVANTAGE



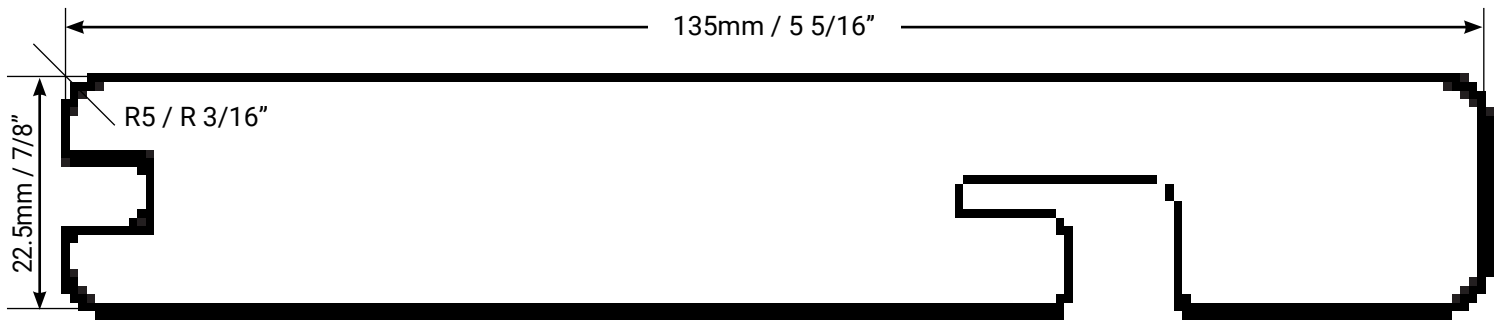
TOLERANCE:
WIDTH: TO -0.5MM THICKNESS: TO -0.2MM WALL THICKNESS: TO -0.2MM

10.3 TWO-TONE SOLID DECKING BOARD – SQUARE EDGES



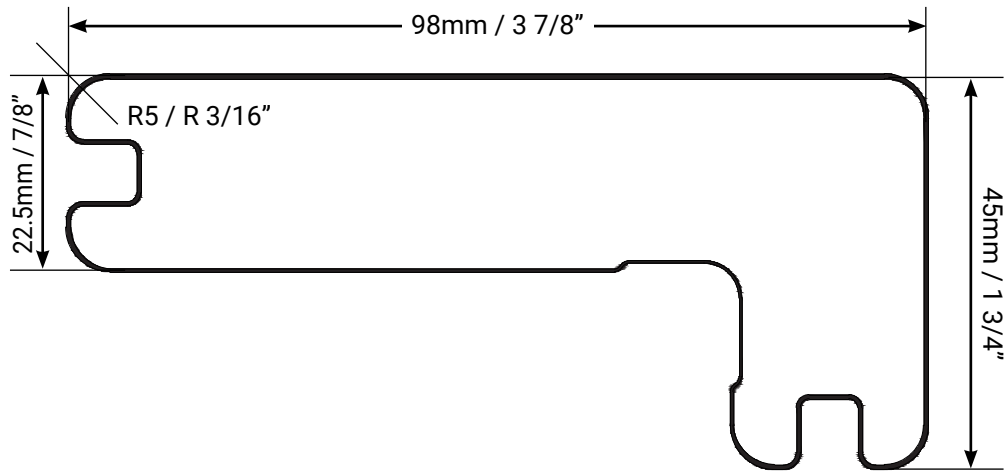
TOLERANCE:
WIDTH: TO -0.5MM THICKNESS: TO -0.2MM WALL THICKNESS: TO -0.2MM

10.4 TWO-TONE SOLID STARTING BOARD – 1 SIDE GROOVED / 1 SIDE SQUARE



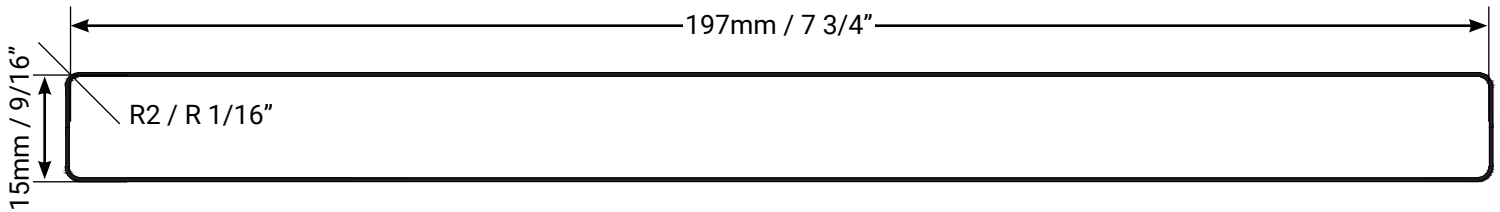
TOLERANCE:
WIDTH: TO -0.5MM THICKNESS: TO -0.2MM WALL THICKNESS: TO -0.2MM

10.5 SOLID NOSING BOARD GROOVED



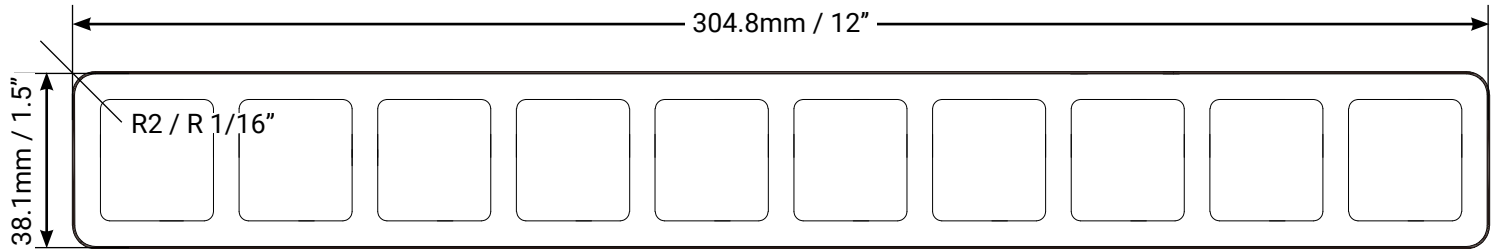
TOLERANCE:
WIDTH: TO -0.5MM THICKNESS: TO -0.2MM WALL THICKNESS: TO -0.2MM

10.6 RISER BOARD – TWO-TONE



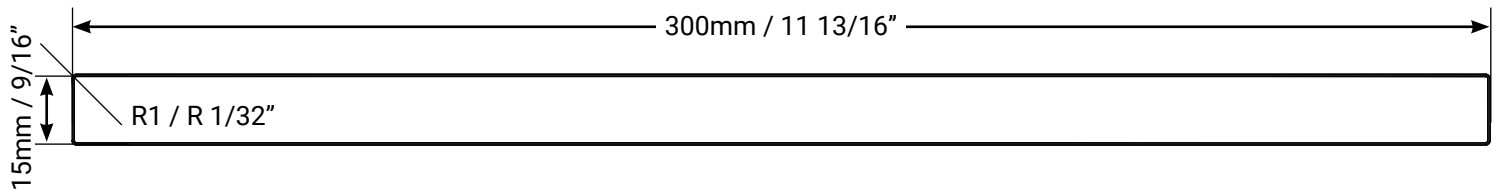
TOLERANCE:
WIDTH: TO -0.5MM THICKNESS: TO -0.2MM WALL THICKNESS: TO -0.2MM

10.7 STAIR TREAD



TOLERANCE:
WIDTH: TO -0.5MM THICKNESS: TO -0.2MM WALL THICKNESS: TO -0.2MM

10.8 FASCIA BOARD

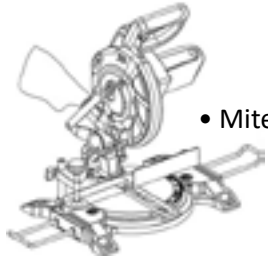


TOLERANCE:
WIDTH: TO -0.5MM THICKNESS: TO -0.2MM WALL THICKNESS: TO -0.2MM

11. Tools and equipment

No specific or exclusive tools are necessary to cut or customize Fiberwood decking products. Normal and conventional tools that carpenters utilize on a regular basis will be appropriate. Carbide tipped blades are recommended for your mechanized tools.

TOOLS:



• Miter saw



• Blue chalk line*:

**To avoid staining the deck boards, only use blue carpenter's chalk.*



• Tape measure



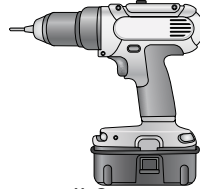
• Hammer / Rubber mallet



• Eye protection



• Ear protection



• Drill & Impact Driver



• Spirit level & Laser level

DO NOT USE YOUR DECK BOARD AS A WORK BENCH.

It's important to keep your deck free of excess dirt, dust, debris, pavers, and other building materials during construction. Using your deck as a storage place for building materials risks permanent damage from sharp objects or accidental strikes.

12. Aesthetic (design & layout)

Plans and drawings are great tools at this stage. They are easy to modify and customize and they will give a clear picture of the desired outcome for whomever will make the project come to fruition. Fiberwood decking products and stair treads are all unique in their colors and variegations. Make a visual inventory of your lot and perhaps even a temporary layout ahead of your permanent installation.



13. Joist Layout

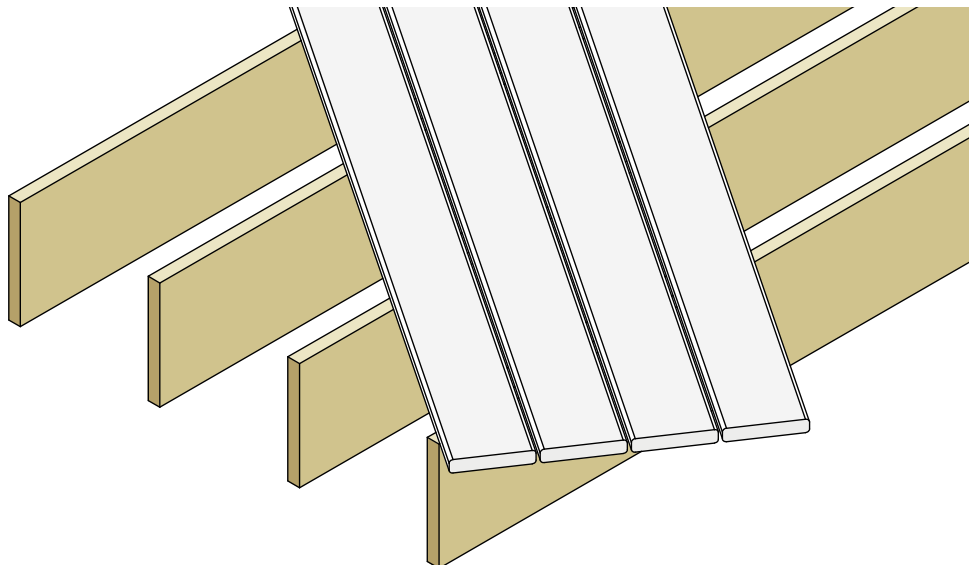
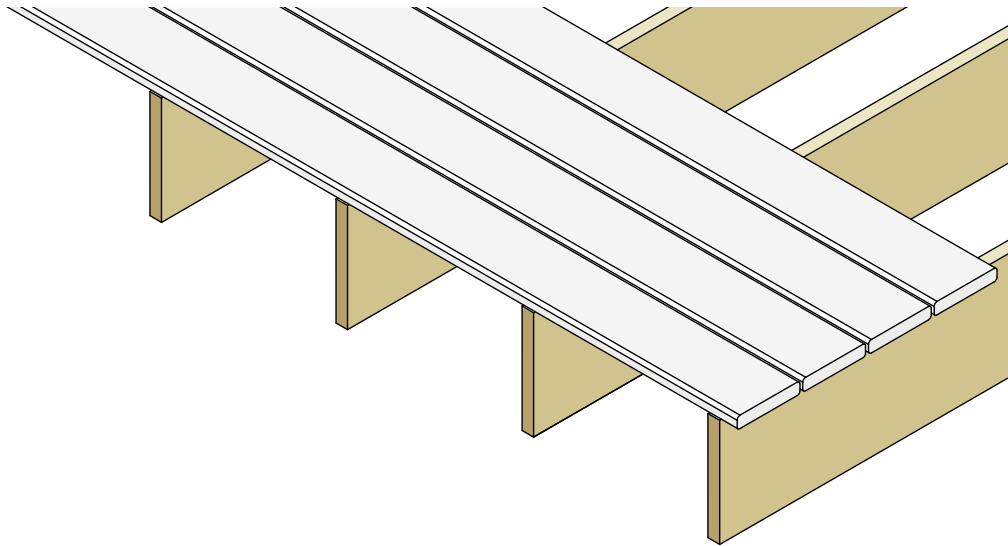


PRO TIP: It is important to check the joists, whether new or pre-existing, are level. Composite deck boards will follow any contour left by an unlevel structure.

Layout and install joists. Joist spacing can vary depending on exact material profiles and application being used, but we recommend a minimum of 2" x 8". This joist layout illustrated below is based on the most common 1" thick board size.

Please verify that the structure that you will be installing Fiberwood products on is straight, square, level, plumb and flat. Our products are not designed, intended for, nor are they approved for any structural applications.

SPAN CHART	
Dimensional Board Size:	7/8" x 5 5/16"
Perpendicular Span Rating:	Elite: 16" in OC Advantage: 12" in OC
Angle Span Rating: 45°	Elite: 12" in OC Advantage: 8" in OC



14. Fasteners

Fiberwood recommends that stainless steel, or appropriately coated, fasteners are favored. We have extensively tested installation of our products with Camo and Starborn fasteners.

FACE SCREW:

#7 stainless steel trimhead screws or color match composite decking screws.

NOTE: if installing Elite boards, do not countersink face screws; they should remain flush with the board surface.



HIDDEN FASTENERS

Build **SMARTER**, build faster.

The CAMO hidden fasteners allow you to achieve the most seamless installation possible. These fasteners are installed in the groove of the boards to provide a durable and solid installation. CAMO Hidden Fasteners were also designed to extend the life of your deck by attaching boards directly to joists.

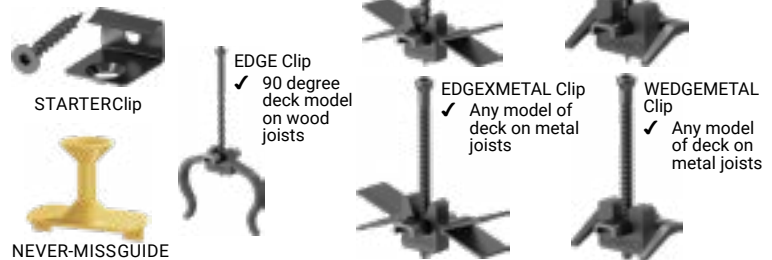
Benefits of Hidden Decking Fasteners CAMO

- ✓ They are easy to use, easy to learn, and usable on any deck.
- ✓ CAMO deck clip make installing grooved decking easy for everyone: fasten them by hand with the included NEVER-MISS Guide or while standing up with the ClipDRIVE or DRIVE tool.

We offer all screws, tools and hidden fasteners in partnership with



www.camofasteners.com/products



Contact your local CAMO representative for additional information

FASTENER SYSTEMS:



DECKFAST®FASCIASYSTEM



- ✓ Fascia tool with pre-set countersink and shaft length
- ✓ Fascia screws color matched stainless steel and epoxy coated steel

CAP-TOR® XD



- ✓ Cap-Tor xd epoxy coated carbon steel
- ✓ Cap-Tor xd Headcote stainless (grade 305 and Marine grade 316)

COLORMATCH



Contact your local STARBORN representative for additional information

Set up for STARTER Clips

A INSERT BIT



Use the included manufacturer's bit.

Do not use an impact driver.

B ADJUST DRILL



If your drill has a drill and clutch mode, set it to clutch mode. Turn down torque to the lowest setting. Increase as necessary to fully drive screw.

Prior to installing Fiberwood decking products, make sure to re-square your boards.

Hidden Fastener Installation

Starter Clip Installation

BEFORE YOU BEGIN

Fasten your first board with CAMO STARTER Clips

SET UP FOR SOLID STARTING BOARD OR NOSING BOARD



SOLID STARTING BOARD



NOSING BOARD

How to Fasten STARTER Clips on Solid Starting Board



FASTEN CLIP ON RIM JOIST

Place clip on the joist and fasten clip on rim joist 16" O/C.



PLACE BOARD

Tilt board up slightly to set it in the clips.



LAY BOARD DOWN

Gently push the board down to lock it in place.

How to Fasten STARTER Clips on Nosing Board



POSITION THE NOSING BOARD

Position the nosing board at the perimeter of the deck structure and secure with your choice of fastener on the vertical aspect of the board.



FASTEN EDGEX CLIPS

Fasten EDGEX clips to each joint.



INSTALL YOUR BOARDS

Insert a board against your nosing board.



USE CAMO EDGEX CLIPS

Insert the other boards, screw in your first CAMO EDGEX clip, then screw clips into each joist at a maximum of 16" O/C.

Use a color-matched face screw on the vertical surface.

How to fasten EDGE Clips



BEFORE YOU BEGIN
Fasten your first board
with CAMO STARTER Clips
(p. 9).



1
PLACE CLIP ON JOIST
Place a clip on the joist with the gusset in the groove. Clips stay in place until you're ready to fasten.



2
REPEAT ALONG THE BOARD
Place a clip at every joist along the length of the board.



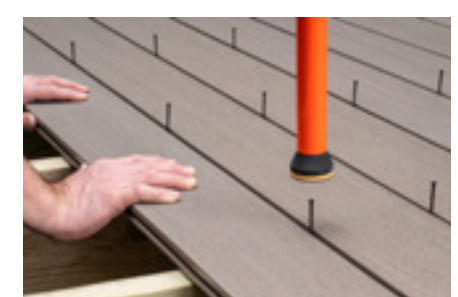
3
SLIDE ON NEXT BOARD
Place the next board up against the clips and repeat until you have multiple rows of boards and clips.



4
LOCK-IN YOUR BOARDS
Hold the boards tightly or lock them in place with CAMO LEVER (sold separately).



5
FASTEN WITH NEVER-MISS GUIDE
Starting at the outermost board, place the NEVER-MISS Guide (included) over the screw head, connect the bit to the head and drive until clip is snug. Do not overdrive. Repeat until all inner boards are fastened.

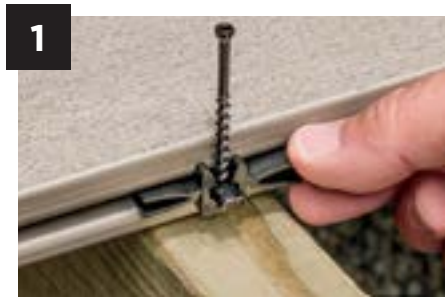


OR FASTEN WITH CLIPDRIVE (OPTIONAL)
To fasten with ClipDRIVE, starting at the outermost board, put the nose over the screw head and drive at full RPM while applying downward pressure. Repeat until all inner boards are fastened.

How to Fasten EDGEX Clips or Wedge Clips



BEFORE YOU BEGIN
Fasten your first board
with CAMO STARTER Clips
(p. 9).



1

PLACE CLIP IN GROOVE

Pinch the wings of clip together and slide the clip into the groove. The wings of the clip will expand, holding the clip in place until you're ready to fasten.



2

REPEAT ALONG THE BOARD

Place a clip at every joist along the length of the board.



3

SLIDE ON NEXT BOARD

Place the next board up against the clips and repeat until you have multiple rows of boards and clips.



4

LOCK-IN YOUR BOARDS

Hold the boards tightly or lock them in place with CAMO LEVER (sold separately).



5

FASTEN WITH NEVER-MISS GUIDE

Starting at the outermost board, place the NEVER-MISS Guide (included) over the screw head, connect the bit to the head and drive until clip is snug. Do not overdrive. Repeat until all inner boards are fastened.



OR FASTEN WITH CLIPDRIVE (OPTIONAL)

To fasten with ClipDRIVE, starting at the outermost board, put the nose over the screw head and drive at full RPM while applying downward pressure. Repeat until all inner boards are fastened.

How to Fasten EDGEXMETAL Clips or Wedge Clips



1

PLACE CLIP IN GROOVE

Pinch the wings of clip together and slide the clip into the groove. The wings of the clip will expand, holding the clip in place until you're ready to fasten.



2

REPEAT ALONG THE BOARD

Place a clip at every joist along the length of the board.



3

SLIDE ON NEXT BOARD

Place the next board up against the clips and repeat until you have multiple rows of boards and clips.



4

LOCK-IN YOUR BOARDS

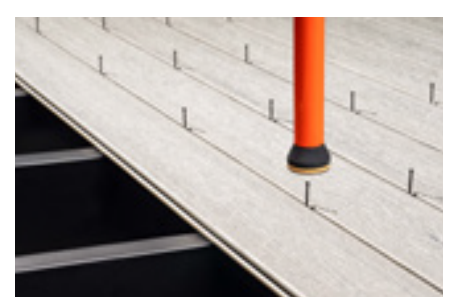
Hold the boards tightly or lock them in place with CAMO LEVER (sold separately).



5

FASTEN WITH NEVER-MISS GUIDE

Starting at the outermost board, place the NEVER-MISS Guide (included) over the screw head, connect the bit to the head and drive until clip is snug. Do not overdrive. Repeat until all inner boards are fastened.



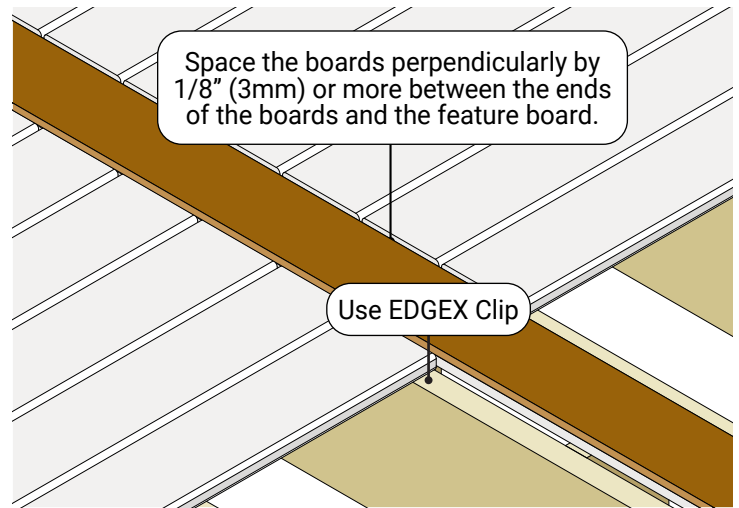
OR FASTEN WITH CLIPDRIVE (OPTIONAL)

To fasten with ClipDRIVE, starting at the outermost board, put the nose over the screw head and drive at full RPM while applying downward pressure. Repeat until all inner boards are fastened.

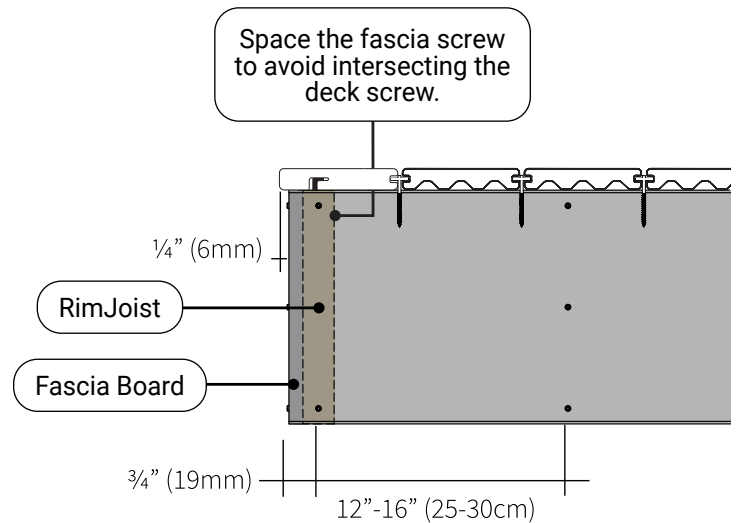
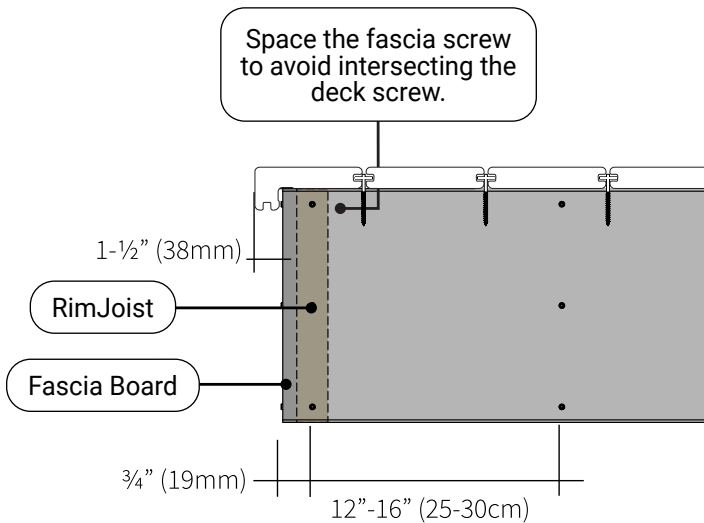
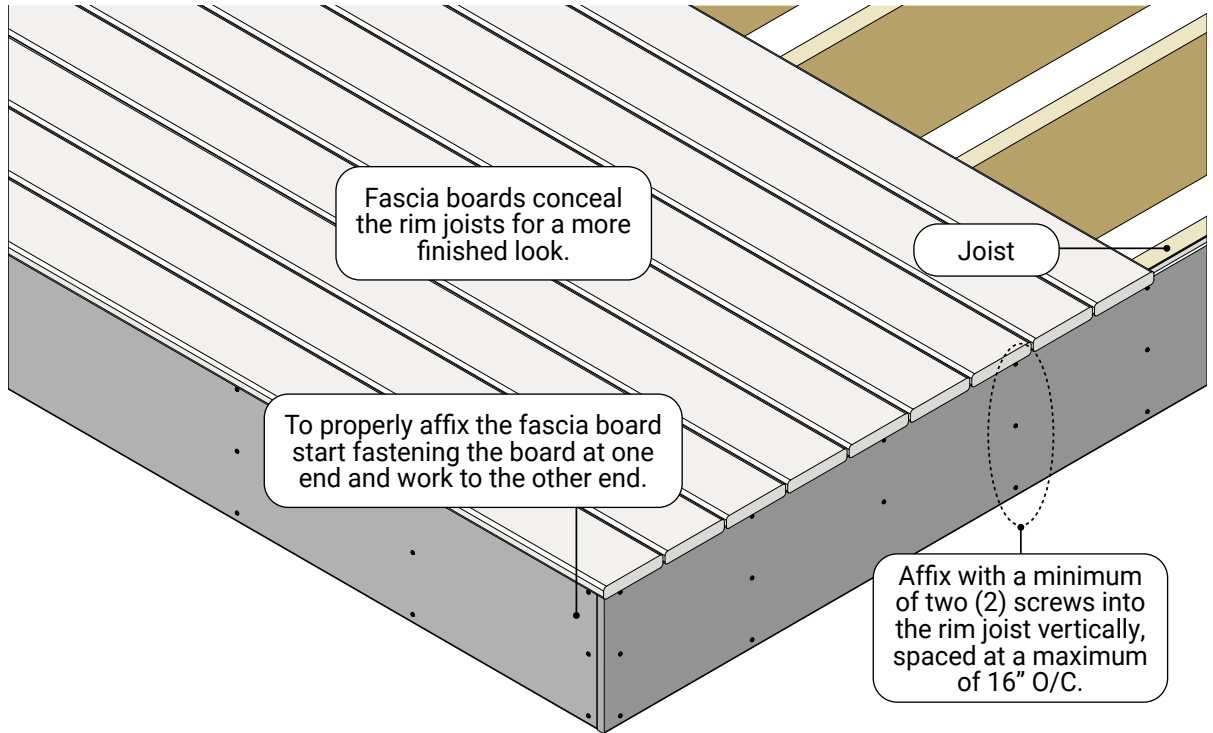
15. Feature Boards

Install joists to accommodate fasteners at the ends of the boards abutting the feature board

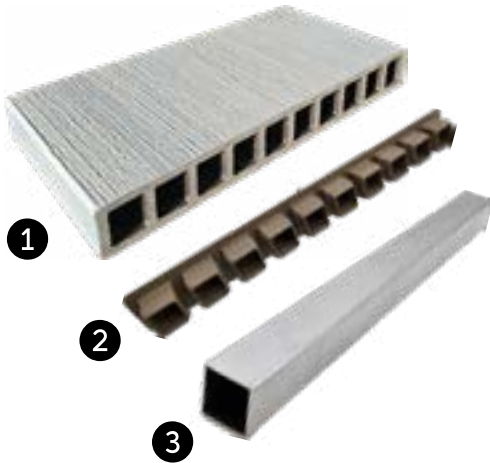
BOARD MODEL	MAX OVERHANG
ELITE	1-1/2" (38mm) from edge of rim joist
ADVANTAGE	1/4" (6mm) from edge of rim joist or edge of properly secured fascia board



16. Fascia Board Installation



17. Stair Tread - Unique in the market!



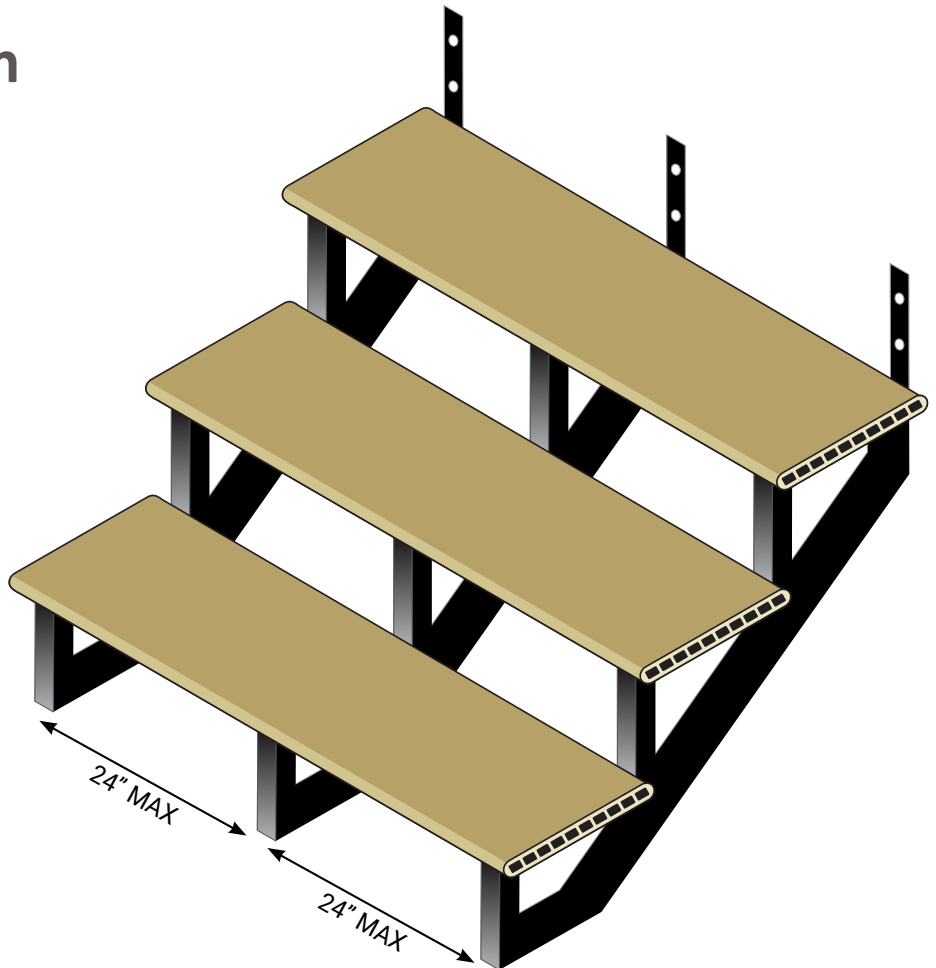
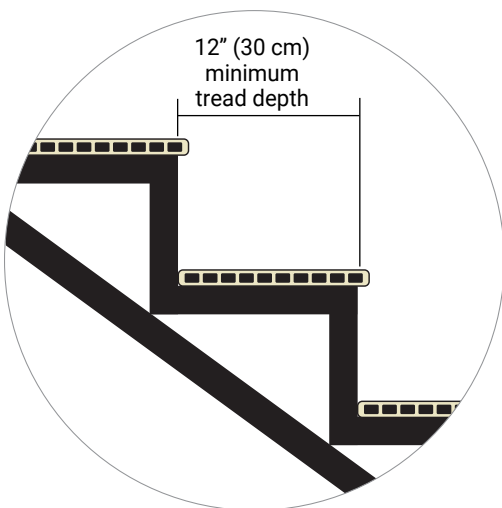
Fiberwood stair treads¹ measure 12 inches width, 1½ inches in thickness, and 12 feet in length. These treads are not only slip-resistant but also available in colors that match the deck boards, ensuring cohesion between stairs and deck. Additionally, they offer the option to integrate 12-foot aluminum stiffener³, allowing for increased spacing of the stringers to 36" and for a robust attachment of guardrail posts and handrails. The finishing caps² feature a full sealing system with 'O'-Ring gaskets enclosing the steps, preventing any water infiltration.

18. Stair Installation

Use screws to secure the steps from underneath, passing them through the pre-drilled holes in the stringers.

19. Stair Stiffeners Installation

Cut the stiffeners to desired length. Fiberwood does not recommend trying to insert more than 36" in length. The fit is quite tight and this creates more and more resistance.



SERIES	STRINGER SPAN MAX
Stair board	24" (60 cm)
With Stiffeners	36" (91,44 cm)

NB: Do not try to insert more than 36" of stiffener length

20. Care, Maintenance and Safety Instructions

FOR ELITE & ADVANTAGE DECKING BOARDS

DIRT AND DEBRIS

In most cases, occasional cleaning with soap and water is all that is needed to maintain the appearance of your decking.

To clean the affected area, begin by spraying it off with a hose to remove any loose debris. Next, use warm soapy water and a soft bristle brush to remove dirt and debris from the embossing pattern, scrubbing in the direction of the grain for best results.

USING A PRESSURE WASHER (GENERAL CLEANING ISSUES)

You can use a pressure washer with a fan attachment/adjustment and soap dispenser to remove dirt or mud from your decking, provided that the pressure washer has no greater than 3000 psi. To clean the deck, first spray it with soap and then use a soft bristle brush to gently scrub each deck board. Rinse each individual deck board with a fan tip nozzle that is no closer than 10 inches (approximately 25 cm) from the decking surface. After cleaning, be sure to rinse the decking surface thoroughly. If you leave dirty water to dry on the decking surface, a film may remain, so it's important to rinse the surface well.

ISSUES WITH CONCRETE, CEMENT, MORTAR, OR STUCCO DUST

When working with cement, concrete, mortar, or stucco, it is important to protect the decking at all times to prevent dust particles from settling on the surface. These particles can cause a reaction on the decking surface when exposed to heat or moisture, and can be difficult to remove. If particles do get on the decking surface, use a recommended concrete dissolver and be sure to follow the manufacturer's instructions.

HARD WATER STAINING

Hard water is water with high amounts of mineral deposits like lime, silica and calcium. When the water dries, deposits are left behind, leaving unsightly spots on surfaces. This is not a defect of products but an issue with the water itself. Generally, these deposits can be cleaned with white vinegar on decking surfaces. Rinsing is required so care should be taken to not use hard water for this purpose. If hard water must be used, dry with a cloth or use a blower to dry surfaces. In some cases, a deck brightener product may also be used to help clean hard water stains.

TANNING DUE TO DEBRIS

To prepare the deck for treatment, start by removing all debris using a hose or broom. Once the deck surface is dry, you can apply a recommended deck “brightener” according to the manufacturer’s instructions. Deck brighteners typically contain oxalic acid, which is effective in removing tannins as well.

ICE AND SNOW

You can use a plastic shovel to remove snow from your deck. To melt snow and ice from the deck surface, use either calcium chloride or rock salt.

OIL, GREASE, AND FOOD

All oil, grease, and food spills must be removed as soon as possible and at the latest within seven days. To remove, spray off with a hose and use warm, soapy water and a soft bristle brush. In cases where soap and water are not effective in removing grease, oil stains or food spills, all-purpose recommended cleaners, including for composite material, can be used to cut through grime without discoloration.

MOLD AND MILDEW

If debris such as pollen and dirt is allowed to accumulate on the deck surface, it can create a biofilm that provides a food source for mold. To prevent this, it’s important to clean your deck as often as needed. You can use a hose and warm, soapy water with a soft bristle brush to remove both the debris and the mold.

If mold is present, there are many commercial products available for cleaning. Make sure the product can be used on composite, then follow the manufacturer’s instructions and use cleaners within their indicated shelf life. It is not recommended to mix different cleaning products together, as harmful chemical reactions could occur. Additionally, it is important to never mix bleach and acids.

RUBBER MATS AND FLOWER POTS

Welcome mats or grill mats that have a rubber, vinyl, or latex backing can leave marks on your composite decking. While these marks can generally be removed, we recommend using high-quality polypropylene or colorfast woven rugs to avoid the issue altogether. Flowerpots can also create potential problems if they sit directly on the deck surface, as moisture can become trapped underneath. Over time, this can result in the buildup of minerals and fertilizer/plant food, which can cause a white discoloration on the boards. To prevent this, we recommend using a plant stand or other structure to elevate the pot and allow for proper air flow underneath.





829, Industriel Blvd., Bois-des-Filion, QC, J6Z 4T3
514-360-1866 / 888-360-1866
fiberwood.ca